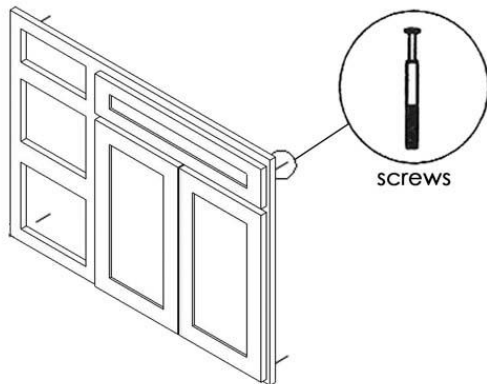
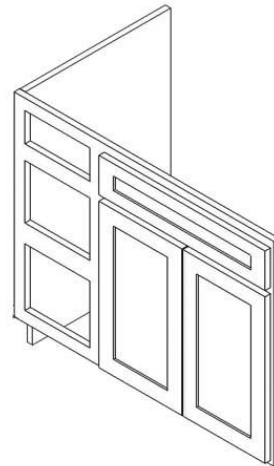


Step 1. Vanity Assembly - Front Face



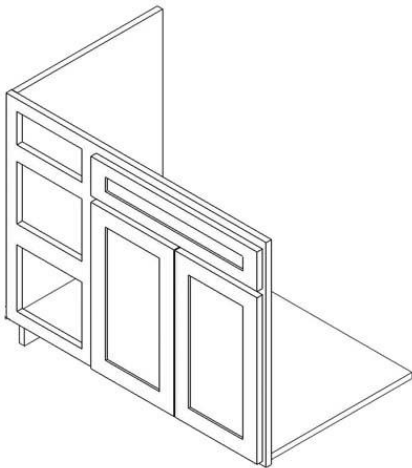
Spin the screws into the pre-drilled holes on the front face frame. Control the power to avoid damaging the nut. If your cabinet uses the plastic cam-lock system, then skip this step.

Step 2. Vanity Assembly - First Side



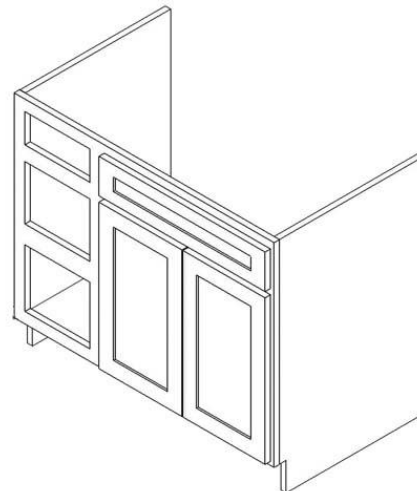
Connect one of the side boards to the front face frame. Put the cam-lock fastener in place and tighten the fastener with a screwdriver. If necessary, please refer to the online cam-lock supplemental installation guide available at www.avantgardeliving.com.

Step 3. Vanity Assembly - Cabinet Base



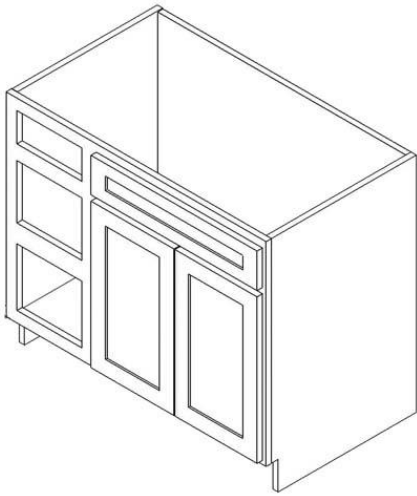
Connect the cabinet base with front face and side board, put in and tighten the cam-lock fasteners.

Step 4. Vanity Assembly - Second Side



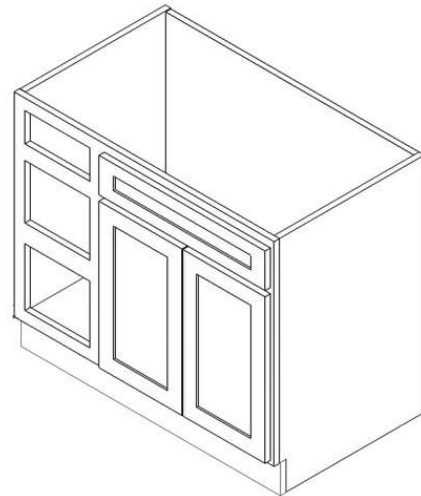
Connect the other side board to the cabinet, put in and tighten the cam-lock fasteners.

Step 5. Vanity Assembly - Back Face



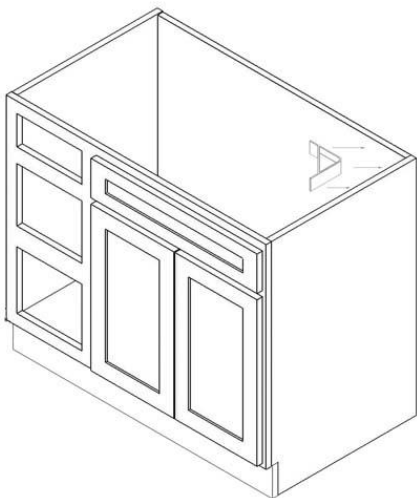
Insert the back face along the groove of the side boards. For smaller size cabinets that does not come with a back board, install the two back supports in place instead.

Step 6. Vanity Assembly - Toe Kick



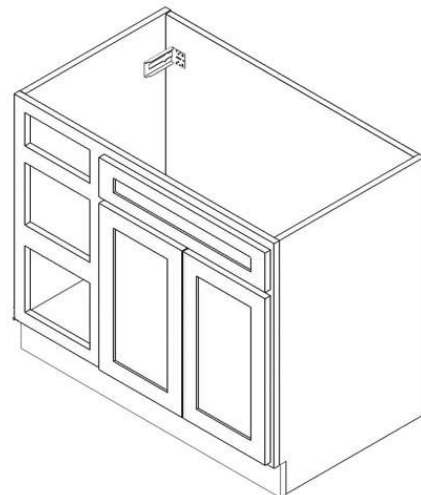
Connect the toe kick to the bottom of the cabinet. Make sure all cam-lock fasteners are tightly screwed.

Step 7. Vanity Assembly - Plastic Corner Brackets



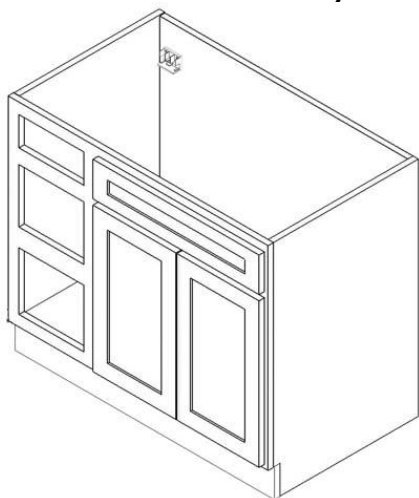
Secure the (4) plastic corner brackets to the four corners of the cabinet.

Step 8a. Heavy-Duty Track Assembly 1



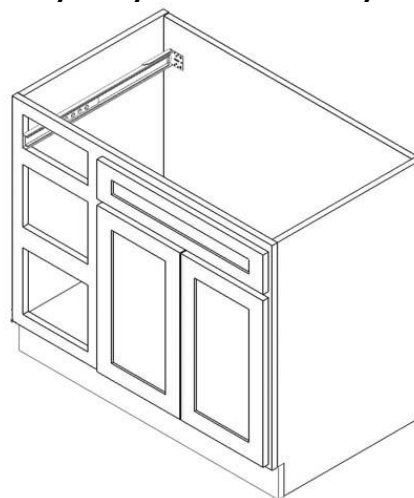
(Heavy Duty Track ONLY) Attach the heavy-duty track bracket in place and secure them with the screws provided with the track. Repeat this for the other side of the drawer track. Skip to step 9a.

Step 8b. Soft-Close Track Assembly 1



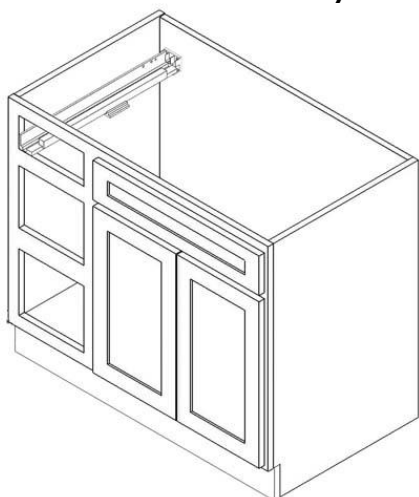
(Soft-Close track ONLY) Attach the soft-close track bracket in place and secure them with the screws provided with the track. Repeat this for the other side of the drawer track. Skip to step 9b.

Step 9a. Heavy-Duty Track Assembly 2



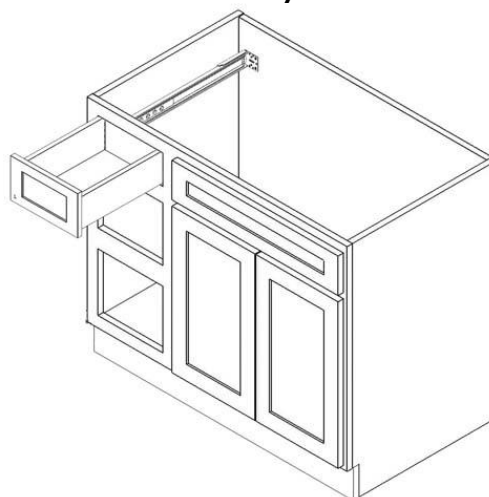
Slide the mid section of the track in place and then secure the track to the front of the cabinet with 1 screw. Repeat step 8 and 9 for other drawers if necessary. For more details, please refer to our online supplemental guide at www.avantgardeliving.com.

Step 9b. Soft-Close Track Assembly 2



Slide the mid section of the track in place and then secure the track to the front of the cabinet with 1 screw. Repeat step 8 and 9 for other drawers if necessary. For more details, please refer to our online supplemental guide at www.avantgardeliving.com.

Step 10. Drawer Assembly



Assemble the drawer units. For the best result, apply a small amount of wood glue to the dovetail ends before putting in the dovetails. Slide the drawer into the installed tracks until they clip together. Repeat this step for other drawers if necessary.